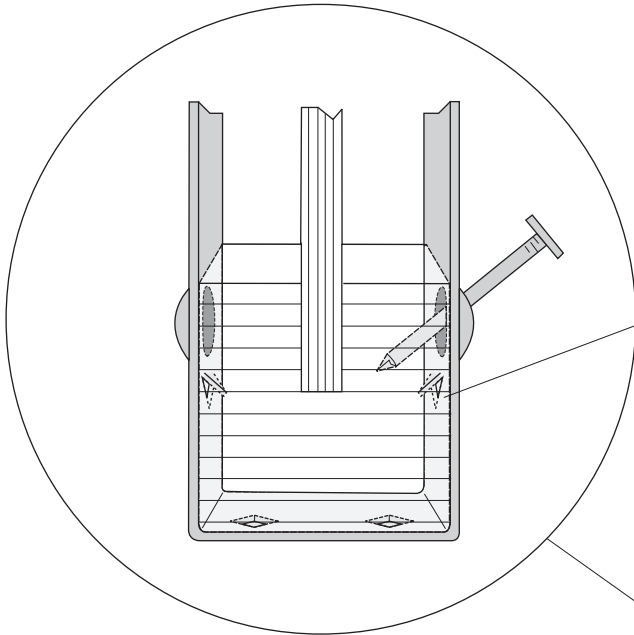


SEAT CLEAT®

'No Squeak' I-Joist Hangers

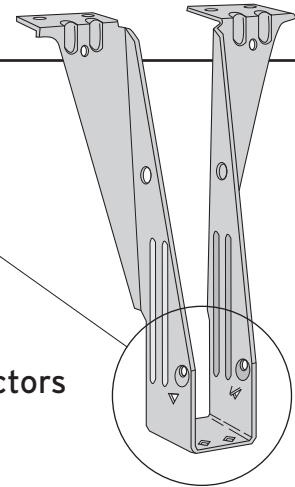
Positive Seating for I-Joist Bottom Flanges



The *Seat Cleat*® automatically locks I-Joists to the bottom of the hanger while you drive nails into dimpled guides.

This tight fit eliminates joist movement in the hanger.

U.S. Patent #5,564,248



Simple and easy to use

- No tabs to bend
- No awkward nailing into top of I-Joist bottom flanges
- No damage to I-Joist as possible with other brand connectors

Seat Cleat™ Features

- I-Joist seats firmly with the tap of a hammer
- Holds I-Joist while you nail, prevents spring back during nailing
- Works with I-Joists and solid members

(For a complete list of USP products featuring the *Seat Cleat*®, see reverse side of this flyer) →

USP supplies quality products to build Stronger Safer Structures



Customer Service:
Burnsville, MN
Phone: 1-800-328-5934/
1-952-898-8772
Fax: 1-952-898-8605

Manufacturing:
Montgomery, MN
Livermore, CA
Largo, FL
Thornhill, Ontario

Warehouses:
Corona, CA
Humble, TX
Westampton, NJ

www.USPconnectors.com

A Subsidiary of MiTek, A Berkshire Hathaway Company
USP357-131

SEAT CLEAT®

AVAILABLE ON THE FOLLOWING MODELS

THF Face Mount I-Joist Hangers All models except **doubles**
 TFL Top Mount I-Joist Hangers See below
 THO Top Mount I-Joist Hangers See below

<u>Joist Size</u>	<u>Model #</u>
1-1/2" x 9-1/2"	THO15950
1-1/2" x 11-7/8"	THO15118
1-1/2" x 14"	THO15140
1-3/4" x 9-1/2"	THO17950
1-3/4" x 11-7/8"	THO17118
1-3/4" x 14"	TFL1714
1-3/4" x 16"	TFL1716
2" - 2 1/8" x 9-1/2"	TFL2095
2" - 2 1/8" x 11-7/8"	TFL20118
2" - 2 1/8" x 14"	TFL2014
2" - 2 1/8" x 16"	TFL2016
2-1/4" x 9-1/2"	TFL2395
2-1/4" x 11-7/8"	TFL23118
2-1/4" x 14"	TFL2314, THO23140
2-1/4" x 16"	TFL2316
2-1/2" x 9-3/8"	TFL25938
2-1/2" x 9-1/4"	TFL25925
2-1/2" x 9-1/2"	TFL2595
2-1/2" x 11-1/4"	TFL25112
2-1/2" x 11-7/8"	TFL25118, THO25118
2-1/2" x 13"	TFL2513
2-1/2" x 14"	TFL2514, THO25140
2-1/2" x 16"	TFL2516
3-1/2" x 9-1/4"	THO35925
3-1/2" x 9-3/8"	THO35938
3-1/2" x 9-1/2"	THO35950
3-1/2" x 11-1/4"	THO35112
3-1/2" x 11-7/8"	THO35118
3-1/2" x 12"	THO35120
3-1/2" x 14"	THO35140
3-1/2" x 16"	THO35160

TECH BULLETIN